

Technical data sheet

LCOS-LUNA · Accessories

LCOS-LUNA cover of the module slot



Identification

| | |
|----------|------------------------------|
| Type | LCOS-ZB-AS-225-00-1-L |
| Part No. | 780610.225.2 |

Product version

| | |
|-------------------|----|
| Datasheet version | 02 |
|-------------------|----|

Description

| | |
|-------------------|------------------------------------|
| System Components | Accessories |
| Description | LCOS-LUNA cover of the module slot |
| Application | Function housing 22.5 mm |

General

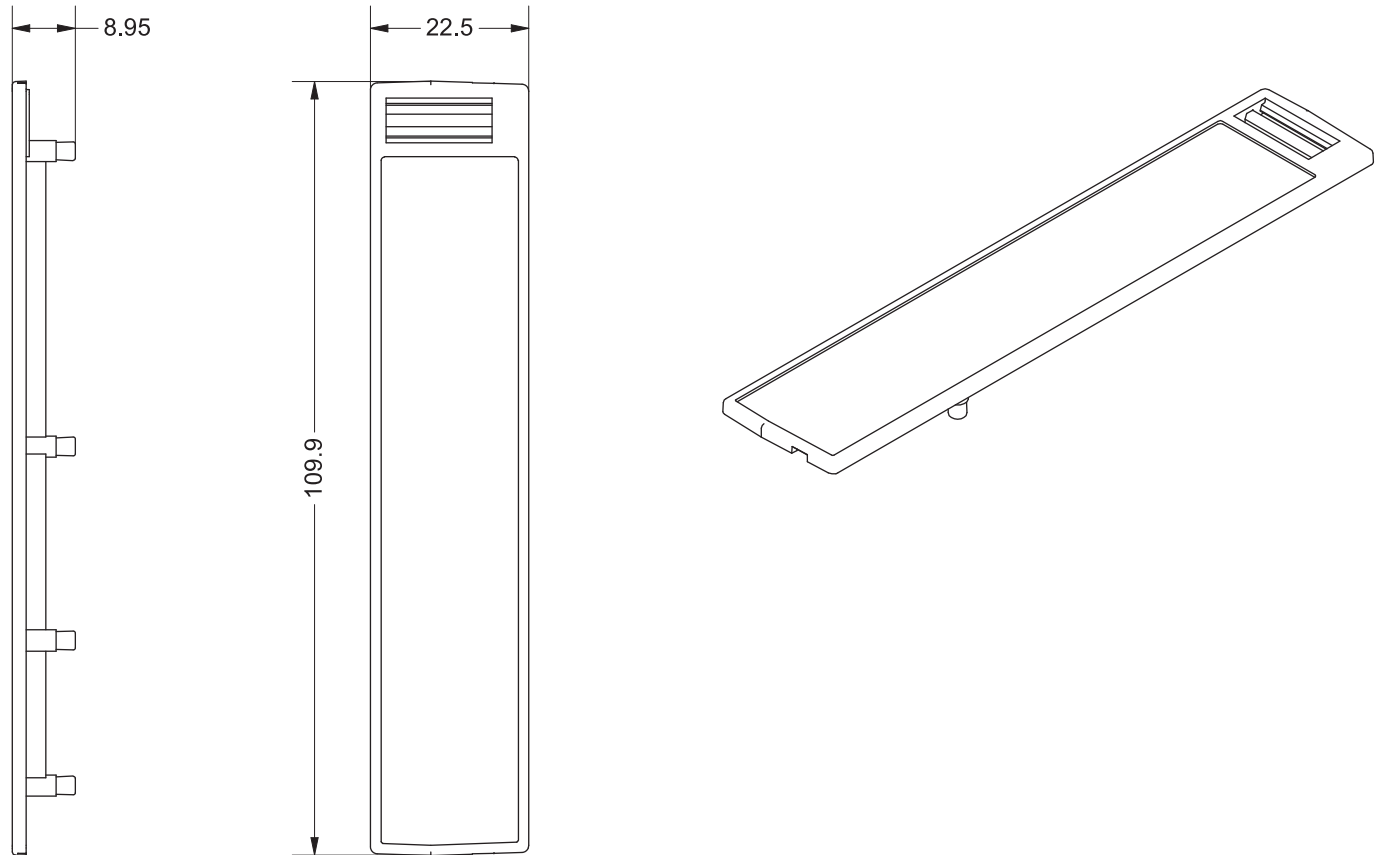
| | |
|------------------------|--|
| Mounting | On LCOS-LUNA function carrier Latches into position |
| Dimensions (w × h × d) | 22.5 mm × 109.9 mm × 8.9 mm |
| Weight/unit | 0.04 kg |
| PU (units) | 10 |

USA: LUTZE INC.

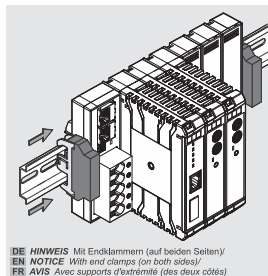
13330 South Ridge Drive • Charlotte, NC 28273, USA
Tel. +1 (704) 504-0222
www.lutze.com • info@lutze.com

31.10.2024 • Subject to technical modification
Part No. [780610.225.2](#) • Datasheet version: 02

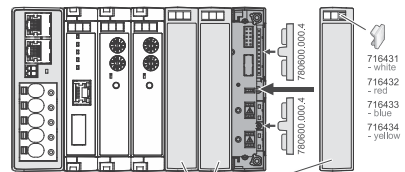
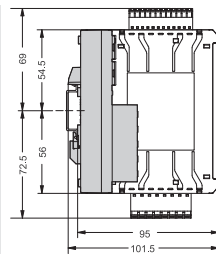
Dimensions



Use



DE **HINWEIS** Mit Endklammern (auf beiden Seiten)/
 EN **NOTICE** With end clamps (on both sides)/
 FR **AVIS** Avec supports d'extrémités (des deux côtés)



DE Abdeckung Modulsteckplatz - Art.-Nr. 780610.225.2
 EN Cover of the module slot - Item no. 780610.225.2
 FR Couverture de l'emplacement du module - Réf. 780610.225.2