

Technical data sheet

Actuator sensor interface · RJ45 connector

Industrial connector RJ45

Solid metal housing, quick-connect technology AWG 24–22

Cat.6A, protective cover pre-assembled



Identification

Type RJ45-M 8pol. Cat.6A T568A
Part No. [490175](#)

Product version

Datasheet version 00

General

| | |
|--------------------------------|---|
| Design | RJ45 |
| Form male 1 | RJ45 Straight Shielded |
| Degree of pollution | 1 |
| Insulation resistance | >500 MΩ |
| Contact resistance | <20 mΩ |
| Flamability according to UL 94 | V0 |
| Degree of protection | IP20 |
| Housing material | Zinc die-casting |
| Color of the housing | Silver |
| Color | silver |
| Cover | PBT black |
| Contact material | Spring steel gold-plated |
| Strand diameter | 1 mm – 1.6 mm |
| Cable diameter | 5.5 mm – 10 mm |
| Operation temperature range | -40 °C ... +85 °C |
| Storage temperature range | -40 °C ... +85 °C |
| Dimensions (w × h × d) | 13.9 mm × 16.3 mm × 53.8 mm |
| Mechanical service life | >750 insertion cycles |
| Connection type | 8-pole RJ45 Push-through contacts IDC |
| Cross-section AWG | 24-22/1, 24-22/7, 19 |
| Weight/unit | 0.025 kg |

USA: LUTZE INC.

13330 South Ridge Drive • Charlotte, NC 28273, USA

Tel. +1 (704) 504-0222

www.lutze.com • info@lutze.com

22.11.2024 • Subject to technical modification

Part No. [490175](#) • Datasheet version: 00

page 1 of 3



SYSTEMATIC TECHNOLOGY

Technical data sheet

Actuator sensor interface · RJ45 connector

PU (units) 1

Technical data

| | |
|---------------------|------------------------|
| Rated voltage U_N | 30 V |
| Max. Power PoE | PoE+ IEEE 802.3at 30W |
| Rated current | ≤ 1 A per contact |
| Pole number | 8 |
| Bandwidth | 500 MHz |
| Transfer rate | 10 Gbit/s |
| Category | Cat.6 _A |
| Shielding | shielded |

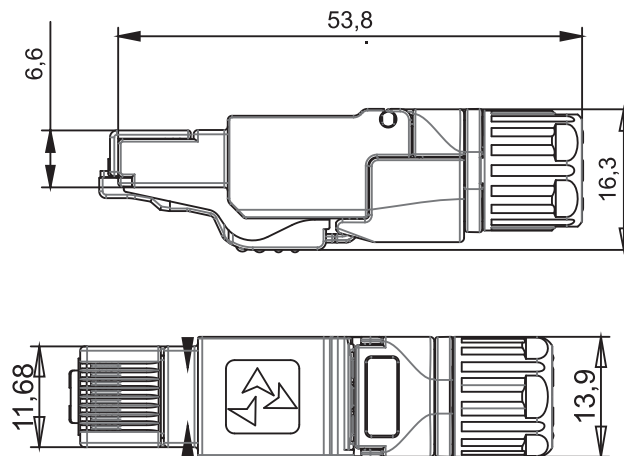
Approvals/Standards

| | |
|-----------|------------------------|
| Approvals | cULus Listed (E326112) |
| Standards | IEC 60603-7-51 |

Notes and Comments

Comments Suitable for Profinet, SERCOS3, Ethercat, Ethernet/IP, Powerlink, VARAN, Power over Ethernet+ (PoE+IEEE 802.3at)
Suitable cables, see overview assignment Ethernet cables to connectors

Dimensions

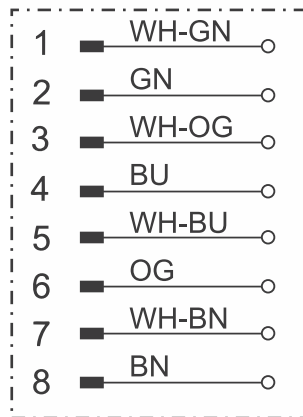


Technical data sheet

Actuator sensor interface · RJ45 connector

Connection assignment

RJ45 male
Ethernet T568A



Mounting diagram

