

Technical data sheet

Mounting Accessories

Control unit for *AirBLOWER*



Identification

Type	LCOS-AB-I
Part No.	777100.0011

Product version

Hardware revision	1.0
Software version	1.42
Datasheet version	07

Use/Application/Properties

Application	• Control Unit of the <i>AirBLOWER</i> with spring terminal
-------------	---

Description

Description	To control the <i>AirBLOWER</i> . Control unit to be used together with function carrier base.
-------------	---

Configuration interface

HART interface	μ-USB Type B 5-pin
----------------	--------------------

Supply module electronic

Rated voltage U_N	DC 24 V SELV
Connection	8-pole Push-In terminal X2: Pin 8–7 or via Powerbus (LCOS system) Use copper conductors only
Rated current	DC 2 A
Operation voltage range	DC 20.4–28.8 V
Protective measure	Reverse diode galvanic isolation between module electronic and diagnosis outputs Overvoltage protection

USA: LUTZE INC.

13330 South Ridge Drive • Charlotte, NC 28273, USA
Tel. +1 (704) 504-0222
www.lutze.com • info@lutze.com

09.12.2025 • Subject to technical modification
Part No. [777100.0011](#) • Datasheet version: 07

Technical data sheet

Mounting Accessories

Diagnosis outputs

Style	Switching capacity for EN 60947-5-1 at AC 230 V Dry NC contact for activating the Air conditioning unit 1 A @ 230 V cos phi = 0.75 – 0.8 (General Use) Dry NO contact for Error message 2 A @ 230 V cos phi = 0.75 – 0.8 (General Use)
Connection	8-pole Push-In terminal X2: Pin 1-2 (Relay fault), Pin 3-4 (Relay air conditioning unit)
Isolating voltage	AC 2500 V
Parameterisation	HART interface / IO-Link interface

Temperature inputs

Input signal	3 × PT100
Temperature range	-50 °C ... +100 °C
Accuracy	+/- 3 K
Connection	12-pole Push-In terminal X1: Pin 7-12
Linearization method	Linear interpolation

Control output

Connection	8-pole Push-In terminal X2: Pin 5–6
Style	Semi-conductor switch
Switching capacity	DC 24 V, 2 A

Diagnostics

LED mode	Green – OK Red - Fault Green flashing – operating time of the fan exceeded
LED IO-Link	Green flashing - active Green – connected Orange - fault

Actuator sensor interface

Style	IO-Link Device/Slave
Connection	12-pole Push-In terminal X1: Pin 1–3
Data rate	38.4 kBaud

Technical data

Width	22.5 mm
Depth	91.5 mm
Height	142 mm

General

Dimensions	With function carrier: 22.5 × 142.0 × 102.0 mm
Relative air humidity	100 %, no condensation allowed

Technical data sheet

Mounting Accessories

Max. altitude operation	2000 m max.
Mounting	DIN rail mounting
Housing material	PA 6.6 (UL 94 V-0, NFF I2, F2)
Operation temperature range	-25 °C ... +60 °C
Storage temperature range	-40 °C ... +70 °C
Installation position	Vertical
Typical power supply	Mains adapter DC 24 V regulated/unregulated, SELV
System behavior	For typical consequences of power supply interruptions and the return of power: Start process with EEPROM test The number of start processes is unlimited.
Max. allowed interruption time of the power supply	PS2 (10 ms)
Memory buffer time for configuration and error data	Supply-independent memory in EEPROM
Self-test and diagnosis possibilities	Power-up test: EEPROM test Periodical test: Over and under-voltage supply Sensor error Over Temperature Short circuit, interruption and overload of fan outlet
Accuracy of the current measurement at the fan output	+/- 0.1 A
Degree of protection	IP20
Degree of pollution	2
Weight/unit	0.12 kg
PU (units)	1

Approvals/Standards

Conformity	CE UKCA
Approvals	cULus (E170585) DNV (TAA00002SY)
Standards	EN 61131-2:2007, EMV, Zone B EMV according to EN 61131-2 only in combination with 777000.1011 (AirBLOWER fan bank) UL 61010-1 UL 61010-2-201 DNVGL-CG-0339

Equipment/Spare parts

Accessories	PT 100 Elements (3 units): Part.-No. 773900.0001 PU: 1 unit Function carrier 22.5 mm, cannot be expanded with modules (standalone version): Part.-No. 780201.225.1 LCOS-FT-PE-225-00-00-1 PU: 1 unit Function carrier 22.5 mm, can be expanded with modules: (in LCOS system with Powerbus): Part.-No. 780402.225.1 LCOS-FT-PE-225-0P-02-1 PU: 1 unit See also the appropriate chapter in operating instructions.
--------------------	---

Technical data sheet

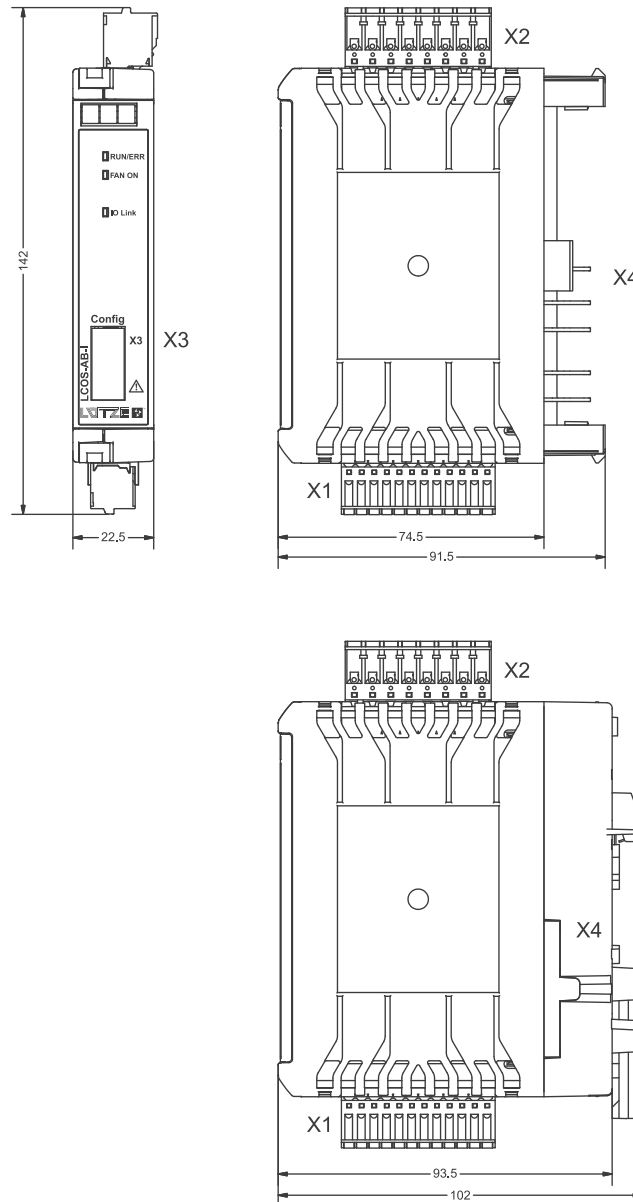
Mounting Accessories

Notes and Comments

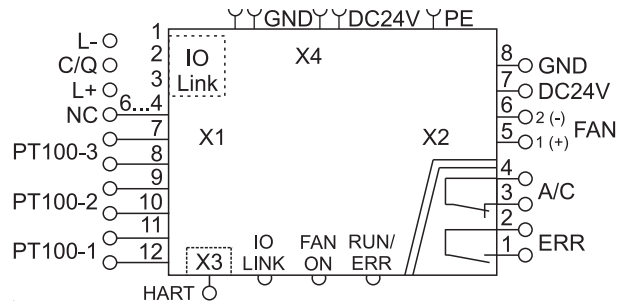
Note

For the parameterization you need the USB service cable, LCON ZB USB, part number 750894 and the Lütze Config Tool software
To program parameterizable devices, you need the software "LCON ZB USB Driver", which is available free of charge in the download area.
The LCON USB service cable contains a galvanically isolated USB interface.
The current versions can be found in the download area of the respective product page on the LÜTZE website.

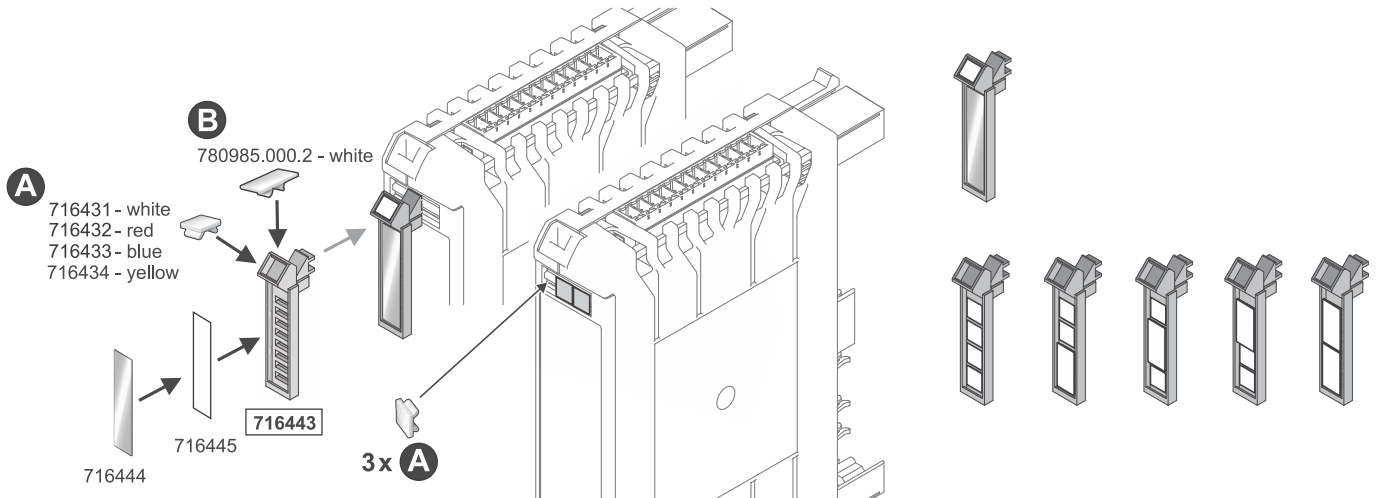
Dimensions



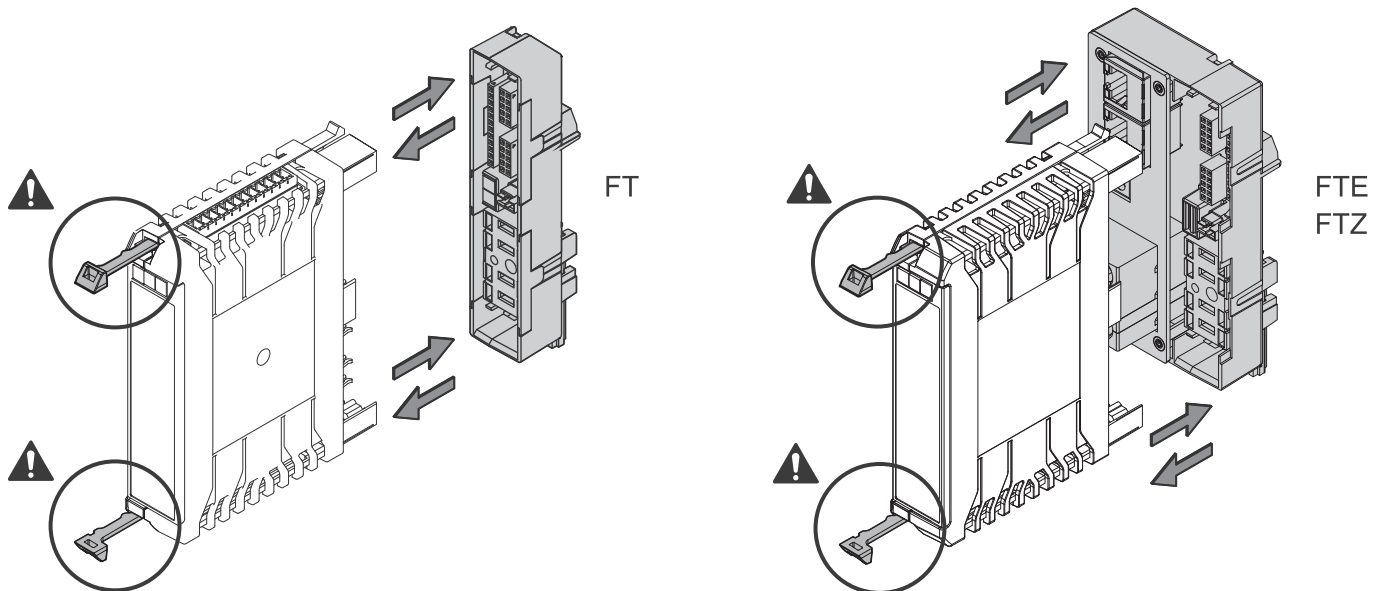
PIN assignment



Use



Use

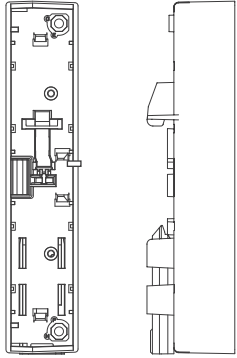


Technical data sheet

Mounting Accessories

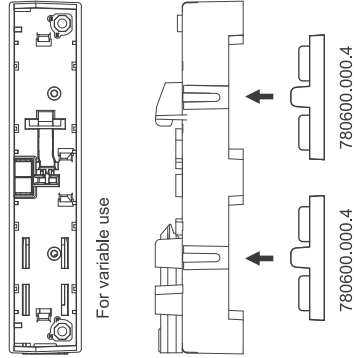
Use

FT, without supply - LCOS function carriers, 22.5 mm - overview



For standalone devices

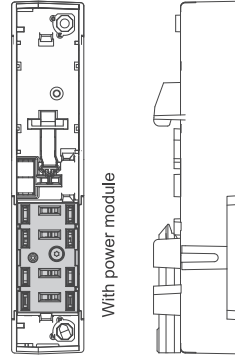
780201.225.1 - PU (units) 1
780201.225.2 - PU (units) 10



For variable use

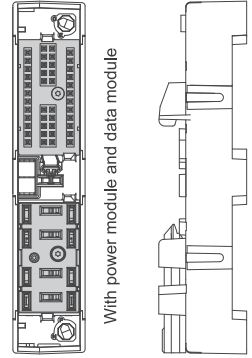
For LCOS system with databus / powerbus

780331.225.1 - PU (units) 1
780331.225.2 - PU (units) 10



With power module

780402.225.1 - PU (units) 1
780402.225.2 - PU (units) 10



With power module and data module

780403.225.1 - PU (units) 1
780403.225.2 - PU (units) 10