

Technical data sheet

Power supply · Compact DC UPS, 240 W

Uninterrupted DC power supply

DC UPS for lead batteries

Input: DC 24 V, Output: max. DC 10 A



Identification

Type	CNUPS24
Part No.	723110

Product version

Datasheet version	01
-------------------	----

Input

Input voltage	DC 26 – 28.5 V
Input current	DC 3 – 10 A
Status display input	LED green: PS OK, LED red: Reverse polarity LED green: Battery OK, LED red: Battery low
Parameterisation	Charging current adjustable by jumper
Protection device Input	None

Energy storage

Memory type	Chemical (lead based)
Nominal battery voltage	DC 24 V
Max. charging current	DC 2 A or DC 4 A
Max. battery capacity	75 % @ 26 V, 85 % @ 27 V, 100 % @ 28 V
Max. output current	10 A
Backup time	Depends on battery and charging current
Fuse for memory medium	Vehicle fuse 15 A / 32 V, Mini Type
Deep discharge protection	18.5 V ± 0.5 V

Output

Output voltage/current	max. DC 10 A
Rated voltage U_N	DC 24 V
Output voltage	DC 20 - 28 V

USA: LUTZE INC.

13330 South Ridge Drive • Charlotte, NC 28273, USA
Tel. +1 (704) 504-0222 • Fax +1 (704) 504-0223
www.lutze.com • info@lutze.com

22.09.2023 • Subject to technical modification

Part No. [723110](#) • Datasheet version: 01

page 1 of 4



SYSTEMATIC TECHNOLOGY

Technical data sheet

Power supply · Compact DC UPS, 240 W

Max. output current DC 10 A

Status indication

Status display output LED yellow: Load OK

Monitoring

Number of channels 1
Monitored functions Battery mode
Switching voltage DC 24 V
Switching current DC 1 A
Isolation voltage 0.5 kV, 1 min.
Contact type Change over contact

General

Derating >60 °C: -0.25 A/°C
Cooling Free convection
Housing material Aluminum
Mounting DIN rail mountable TS35
(EN 60715)
Installation position Vertical, with 20 mm distance to other devices
Degree of protection IP20 (EN 60529)
Weight/unit 0.3 kg
Connection type Connector with screws: 2.5 mm² (AWG 24–12)
Dimensions (w × h × d) 54.0 mm × 115.0 mm × 110.0 mm
PU (units) 1

General ambient conditions

Operation temperature range -40 °C ... +70 °C (UL approved up to +60 °C)
Storage temperature range -40 °C ... +80 °C
Over voltage category II
Degree of pollution 2 (IEC 664-1)
Relative air humidity 5 – 95 % RH, non-condensing

Approvals/Standards

Approvals CE
UKCA
cULus (E249179)

Technical data sheet

Power supply · Compact DC UPS, 240 W

Standards

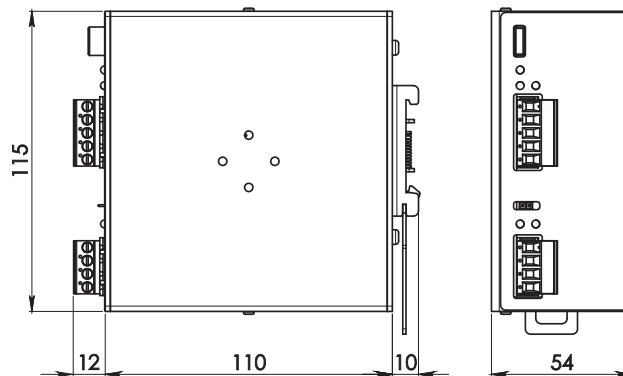
UL 508
IEC/EN 61010-1
IEC/EN 61010-2-201
IEC/EN 60950
EN 55011 (CISPR11) Class A
EN 55022 (CISPR22) Class A
EN 61000-4-2 Level 3
EN 61000-4-3 Level 3
EN 61000-4-4 Level 3
EN 61000-4-5 Level 1
EN 61000-4-11 Level 2
IEC 60068-2-6 (Vibration sinusoidal), 5-17.8 Hz: ± 1.6 mm, 17.8-500 Hz: 2 g
2 hours / axis (X,Y,Z)
IEC 60068-2-27 (Shock), 30 g 6 ms, 20 g 11 ms, 3 bumps / direction,
18 bumps total

Notes and Comments

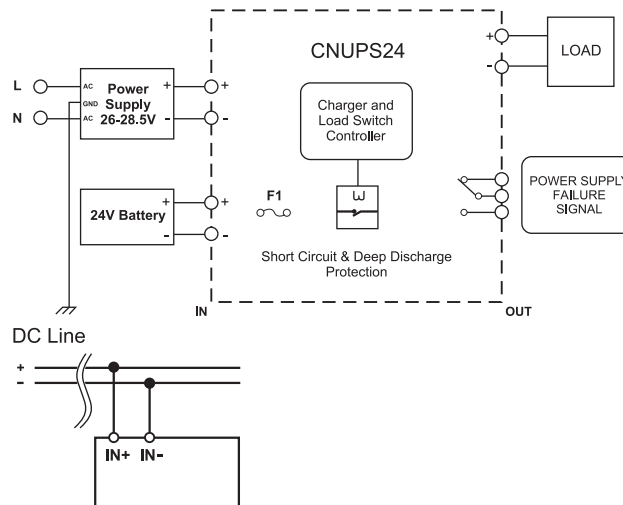
Comments

Suitable for power supply with applicable output voltage
Load mode with simultaneous charging
Integrated battery fuse
Deep discharging protection
Battery not included

Dimensions



PIN assignment



Technical data sheet

Power supply · Compact DC UPS, 240 W

Derating

