

## Technical data sheet

Actuator sensor interface · M12 - cables

---

Female M12 angled, with LEDs and PUR cable, open end  
Self-locking screw connection  
C-track compatible, halogen free



---

### Identification

Type K UW/LED A-M12 5M PUR  
Part No. [468050](#)

---

### Product version

Datasheet version 00

---

### Use/Application/Properties

Properties

- Silicone free
- Free from paint wetting disruptive substances (LABS-free)
- Hydrolysis-resistant, microbe-resistant, and rot-resistant
- Resistance to acids, alkalines and watery solutions

---

### General

Design	M 12×1
Form male 1	M 12 female angle connector
Form male 2	line end open
Rated insulation voltage	32 V
Degree of pollution	3
Contact resistance	<5 mΩ
Flamability according to UL 94	HB
Degree of protection	IP65/67/68
Housing material	TPU
Color of the housing	black
Contact material	CuSn, gold-plated
Thread material	Zinc die-casting, nickel-plated

---

#### United Kingdom: LÜTZE Ltd.

Unit 3, Sandy Hill Park  
Sandy Way, Amington · GB-Tamworth, Staffs B77 4DU  
Tel. +44 (0)1827 31333-0 · Fax +44 (0)1827 31333-2  
[www.lutze.com](http://www.lutze.com) · [sales.gb@lutze.co.uk](mailto:sales.gb@lutze.co.uk)

#### Germany: Friedrich Lütze GmbH

Postfach 12 24 (PLZ 71366) · Bruckwiesenstraße 17-19 · D-71384 Weinstadt  
Tel. +49 (0)7151 6053-0 · Fax +49 (0)7151 6053-277(-288)  
[www.luetze.de](http://www.luetze.de) · [info@luetze.de](mailto:info@luetze.de)

03.05.2022 · Subject to technical modification

Part No. [468050](#) · Datasheet version: 00

page 1 of 3



SYSTEMATIC TECHNOLOGY

## Technical data sheet

### Actuator sensor interface · M12 - cables

---

Material sealing ring	NBR
Mounting	Torque 0.4 Nm
Number of conductors/cross-section	3 × 0.34 mm <sup>2</sup> (42 × 0.1)
Number of conductors	3
Conductor color	black, blue, brown
Jacket material	PUR
Jacket color	black
Conductor insulation	PP
Cable diameter	3.8 mm
Minimum bending radius moving	10×D
Storage temperature range	-30 °C ... +90 °C
Temperature range connector	-25 °C ... +90 °C
Temperature range fixed	-40 °C ... +80 °C
Temperature range moving	-25 °C ... +80 °C
C-track chain properties	Type B
Conduction properties (TYPE A+B+C)	PUR halogen free for extreme demands Very good chemical stability Very resistant to oils and lubricants Very high abrasion resistance Halogen free Silicone free, free of paint wetting impairment substances Resistant to microbes and hydrolysis Good UV stability
Weight/unit	0.19 kg
PU (units)	1

---

#### Technical data

---

Rated voltage U <sub>N</sub>	DC 24 V
Rated voltage min.	10 V
Operating voltage max.	28 V
Rated current	4 A
Pole number	3
Cable length	5 m
Status indication	Operating voltage: LED green I/O: LED yellow
Current Consumption	10 mA
Coding	A

---

#### Certifications/Standards

---

UV-resistant according to Certifications	DIN EN ISO 4892-2-A cULus Listed (E224249)
---	---

---

#### Equipment/Spare parts

---

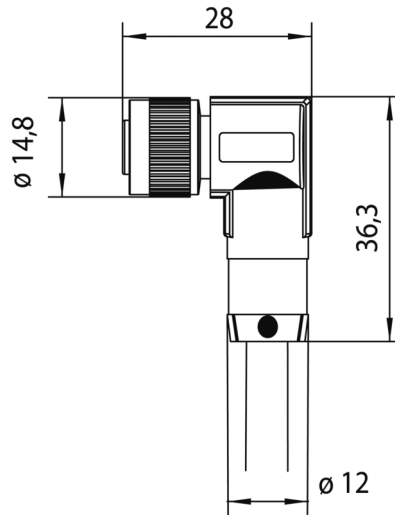
#### Accessories

**Torque setting tool M 12:** Part-No. 490091 | DM-SET M12 | PU: 1 unit

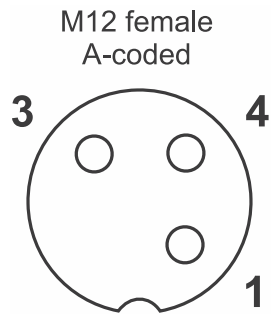
# Technical data sheet

Actuator sensor interface · M12 - cables

## Dimensions



## Pin layout



## Circuit diagram

