

## Technical data sheet

### Suppression Technology · Valve suppressors

---

Design BI (11mm), 2pol. + 1×PE

PVC connecting lead 3×0,5mm<sup>2</sup>

Protection device: suppressor diode + LED



---

#### Identification

Type	LS-BI-9645 2.5m PVC 180° 24V
Part No.	709645

---

#### Product version

Datasheet version	00
-------------------	----

---

#### Technical data

Type of function	Valve suppressor
Protection device	Suppressor diode + LED
Rated voltage U <sub>N</sub>	AC/DC 24 V
Current Consumption	4 mA
Cut-off peak	≤52 V
Rated frequency f <sub>N</sub>	50 Hz / 60 Hz
Holding Capacity	100 VA
Type of connecting lead	3×0.5 mm <sup>2</sup> PVC
Cable length	2.5 m
Connecting lead Ø	5.0 ± 0.5 mm

---

#### General

Design	BI Ind. (11 mm)
Status indication	LED yellow
Amperage range	≤4 A
Contact resistance	<10 mΩ
Insulation resistance	>100 MΩ
Pole number	3

---

#### United Kingdom: LÜTZE Ltd.

Unit 3, Sandy Hill Park  
Sandy Way, Amington • GB-Tamworth, Staffs B77 4DU  
Tel. +44 (0)1827 31333-0 • Fax +44 (0)1827 31333-2  
www.lutze.com • sales.gb@lutze.co.uk

#### Germany: Friedrich Lütze GmbH

Postfach 12 24 (PLZ 71366) • Bruckwiesenstraße 17-19 • D-71384 Weinstadt  
Tel. +49 (0)7151 6053-0 • Fax +49 (0)7151 6053-277(-288)  
www.luetze.de • info@luetze.de

10.11.2021 • Subject to technical modification

Part No. 709645 • Datasheet version: 00

page 1 of 3



SYSTEMATIC TECHNOLOGY

## Technical data sheet

### Suppression Technology · Valve suppressors

Conductor color	various
Jacket color	black
Housing material	TPU
Color of the housing	transparent
Contact material	CuSn silver-plated
Mechanical service life	>100 insertion cycles
Degree of pollution	3
Protection class	IP67
Mounting	Breakaway torque 0.4 Nm Protective hose possible
Temperature range connector	-25 °C ... +90 °C
Temperature range fixed	-30 °C ... +80 °C
Temperature range moving	-5 °C ... +70 °C
Operation temperature range	-25 °C ... +80 °C
Storage temperature range	-40 °C ... +90 °C
Dimensions (w × h × d)	22.0 mm × 26.5 mm × 50.0 mm
Weight/unit	0.13 kg
PU (units)	1

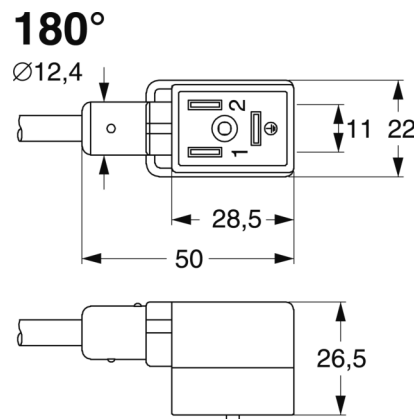
### Accessories

<b>Accessories</b>	Tag holder 7×20 mm, white: Part-No. 760968   BZT-0720   PU: 100 units
--------------------	---

### Notes and Comments

Comments	Very good chemical and oil resistance. The material resistance must be checked based on the application for use with aggressive media!
----------	--

### Dimensions



## Technical data sheet

Suppression Technology · Valve suppressors

---

### PIN assignment

