

## Technical data sheet

Actuator sensor interface · M12 - connector

---

Field wireable connector, M12 angled, shielded  
Female A-coded (CANopen/DeviceNet)  
Spring terminal: Push-in connection technology



---

### Identification

Type KUWK5-M12 (C)-A FK  
Part No. [490203](#)

---

### Product version

Datasheet version 00

---

### General

Design	M 12 Female Angle connector
Test voltage	1500 V
Degree of pollution	3
Insulation resistance	>100 M $\Omega$
Contact resistance	<5 m $\Omega$
Flamability according to UL 94	V0
Degree of protection	IP65, IP67 inserted and tightened
Housing material	Zinc die-casting, nickel-plated
Color of the housing	Silver
Contact material	CuSn, gold-plated
Material knurled nut	Zinc die-casting, nickel-plated
Material sealing ring	NBR
Mounting	Coding Can be rotated in the 45° increments
Cable diameter	4 mm – 8 mm
Storage temperature range	-40 °C ... +85 °C
Temperature range connector	-40 °C ... +85 °C

---

#### United Kingdom: LÜTZE Ltd.

Unit 3, Sandy Hill Park  
Sandy Way, Amington • GB-Tamworth, Staffs B77 4DU  
Tel. +44 (0)1827 31333-0  
www.lutze.com • sales.gb@lutze.co.uk

#### Germany: Friedrich Lütze GmbH

Postfach 12 24 (PLZ 71366) • Bruckwiesenstraße 17-19 • D-71384 Weinstadt  
Tel. +49 (0)7151 6053-0  
www.luetze.de • info@luetze.de

23.01.2026 • Subject to technical modification

Part No. [490203](#) • Datasheet version: 00

page 1 of 4

## Technical data sheet

### Actuator sensor interface · M12 - connector

---

Mechanical service life	>100 insertion cycles
Connection type	Spring terminal Push-In
Cross-section, metric	without ferrule: 0.14–0.75 mm <sup>2</sup> with ferrule: 0.08–0.5 mm <sup>2</sup>
Cross-section AWG	Without ferrule: AWG26–AWG18 With ferrule: AWG28–AWG20
Tightening torque	M12-knurled nut: 0.4 Nm Sleeve housing: 0.8 Nm Pressure nut: 3 Nm
Weight/unit	0.044 kg
PU (units)	1

---

#### Technical data

---

Rated voltage U <sub>N</sub>	AC/DC 24 V
Operating voltage max.	60 V
Rated current	4 A
Pole number	5
Coding	A

---

#### Certifications/Standards

---

Certifications	cULus (E224249)
Standards	IEC 61076-2-101 EN 50155 (2001) vibration and shock

---

#### Notes and Comments

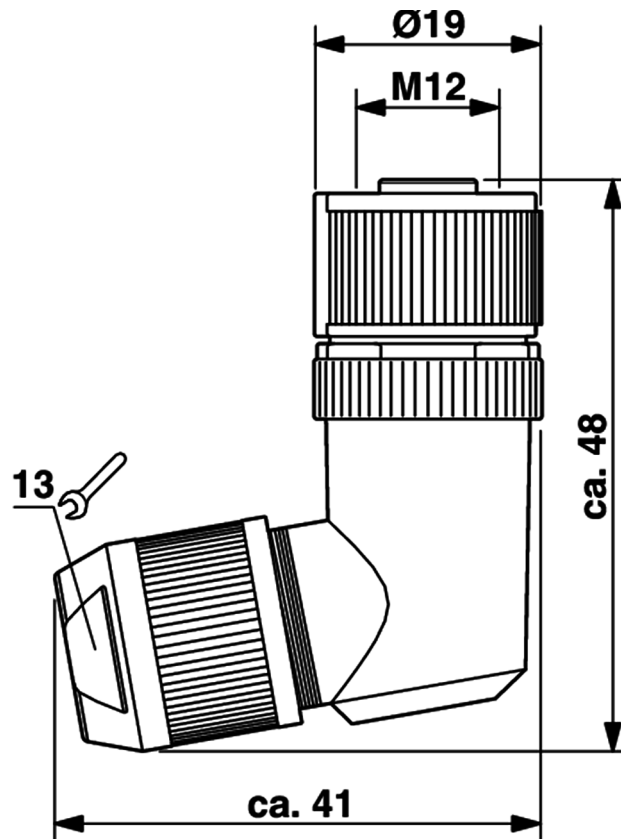
---

Comments	Suitable for Profinet, SERCOS3, Ethercat, Ethernet/IP, Powerlink, VARAN, Power over Ethernet+ (PoE+IEEE 802.3at) Suitable cables, see overview assignment Ethernet cables to connectors
----------	---

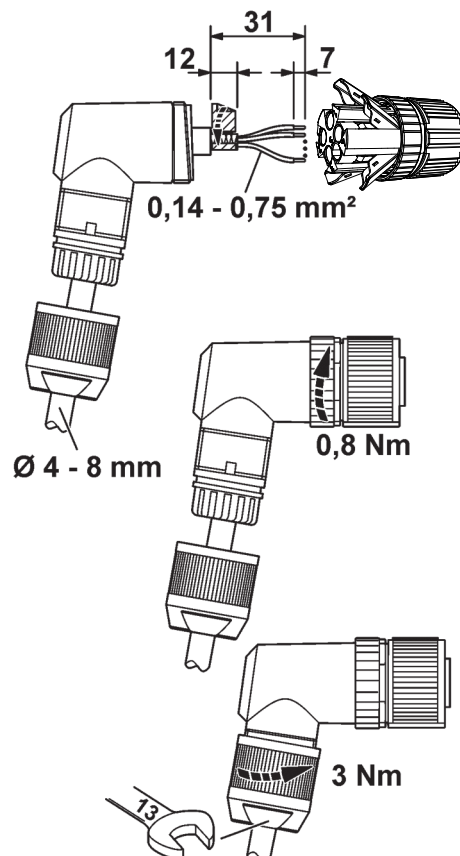
# Technical data sheet

Actuator sensor interface · M12 - connector

## Dimensions



## Mounting diagram



## Technical data sheet

Actuator sensor interface · M12 - connector

---

### Pin layout

