

# Technical data sheet

## LCOS Accessories

---

### LCOS function carrier

Supply module for bus coupler Profinet, EtherCAT and Ethernet IP

Control voltage connection DC 24 V



---

### Identification

Type LCOS-FTE-PE-575-UN-04-1-L  
Part No. [780714.575.1](#)

---

### Product version

Datasheet version 02

---

### Description

Description LCOS function carrier, supply module for bus coupler Profinet, EtherCAT and Ethernet IP, control voltage connection DC 24 V

---

### Electrical data supplementary supply

Operating voltage DC 18 V – DC 31.2 V  
Rated voltage DC 24 V  
Operating current Max. DC 2 A  
Protection device Polarity reversal protection  
Connection type input Spring terminal  
2 × 2.5 mm<sup>2</sup> (AWG 26 – AWG 14)

---

### Field bus connection

Interface mechanical 2xRJ45 bush with galvanic isolation 1.5 kV  
Status indication Link, activity

---

### Slots

Slots 1 × LCOS function housing 22.5 mm

---

#### United Kingdom: LÜTZE Ltd.

Unit 3, Sandy Hill Park  
Sandy Way, Amington • GB-Tamworth, Staffs B77 4DU  
Tel. +44 (0)1827 31333-0 • Fax +44 (0)1827 31333-2  
[www.lutze.com](http://www.lutze.com) • [sales.gb@lutze.co.uk](mailto:sales.gb@lutze.co.uk)

#### Germany: Friedrich Lütze GmbH

Postfach 12 24 (PLZ 71366) • Bruckwiesenstraße 17-19 • D-71384 Weinstadt  
Tel. +49 (0)7151 6053-0 • Fax +49 (0)7151 6053-277(-288)  
[www.luetze.de](http://www.luetze.de) • [info@luetze.de](mailto:info@luetze.de)

30.04.2024 • Subject to technical modification

Part No. [780714.575.1](#) • Datasheet version: 02

page 1 of 4



SYSTEMATIC TECHNOLOGY

## Technical data sheet

### LCOS Accessories

---

#### General

---

Housing material	PA 6.6 (UL 94 V-0, NFF I2, F2)
Color of the housing	Pebble grey
Mounting	DIN rail mountable TS35 (EN 60715)
Max. altitude operation	2000 m max.
Installation position	Vertical
MTBF	on request
Degree of protection	IP20 (EN 60529)
Dimensions (w × h × d)	57.5 mm × 110.0 mm × 32.0 mm
Weight/unit	0.25 kg
PU (units)	1

---

#### General ambient conditions

---

Operation temperature range	-25 °C ... +55 °C
Storage temperature range	-40 °C ... +85 °C
Over voltage category	II
Degree of pollution	2
Relative air humidity	10 % – 95 %, without condensation
Vibration resistance	0.7 g acc. to EN 60068-2-6
Shock resistance	15 g 11 ms acc. to IEC 60068-2-27

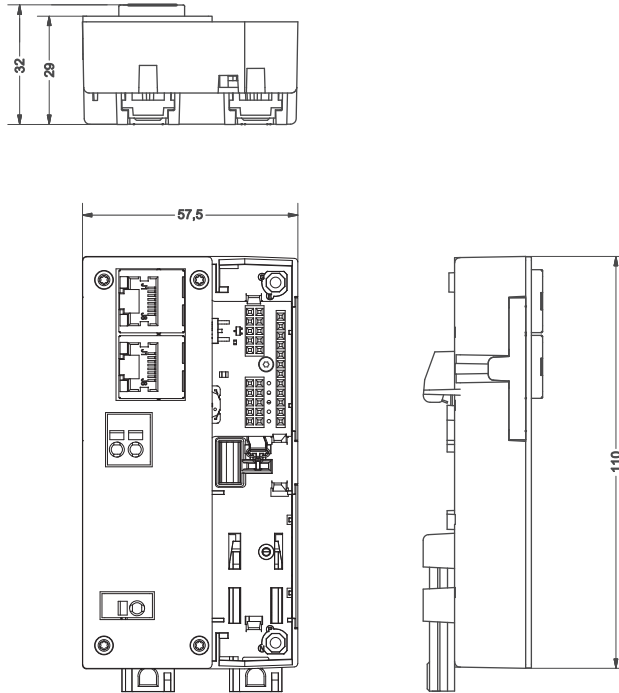
---

#### Certifications/Standards

---

Conformity	CE UKCA
Certifications	DNV (TAA00002SY)
Standards	EN 61000-6-2 EN 61000-6-4 DNV-CG-0339

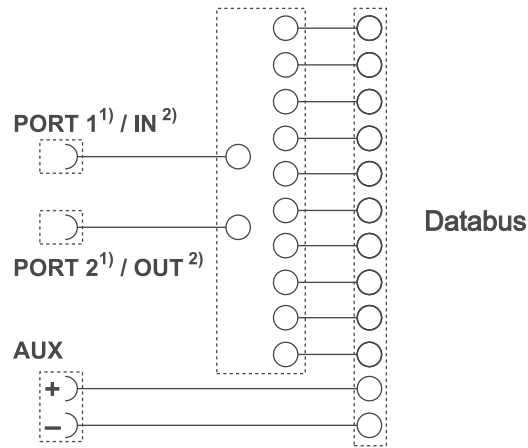
Dimensions



PIN assignment

DC ==

Data module



<sup>1)</sup> Ethernet IP/ Profinet <sup>2)</sup> EtherCAT

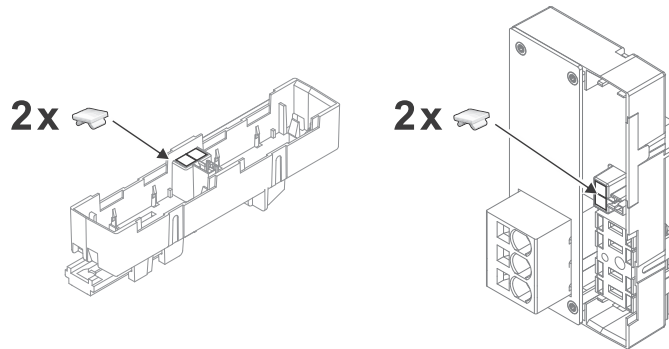
Power module

# Technical data sheet

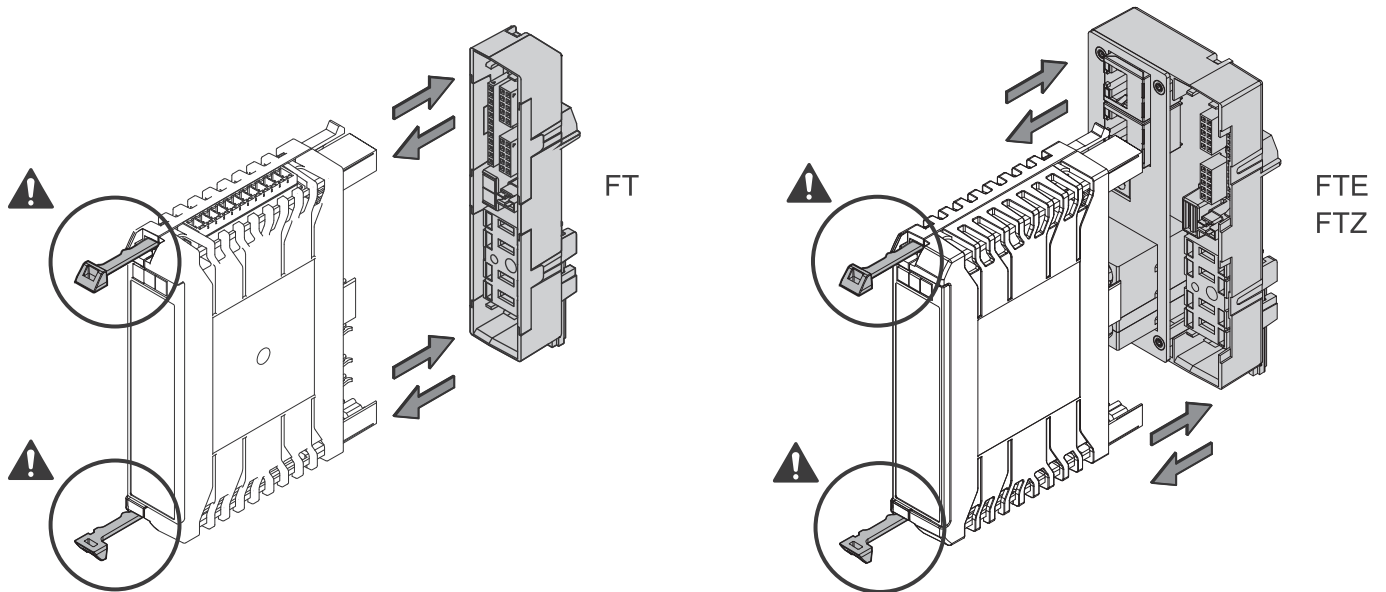
## LCOS Accessories

### Use

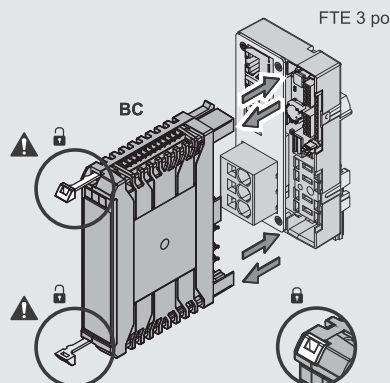
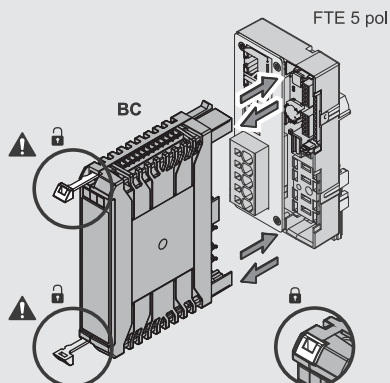
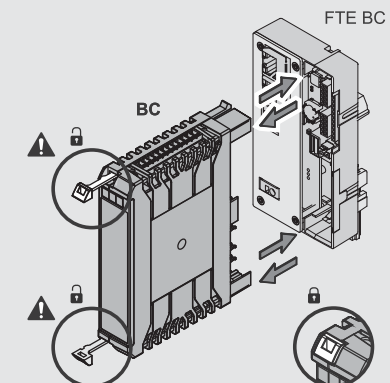
780981.000.2 - white  
 780982.000.2 - red  
 780983.000.2 - blue  
 716434 - yellow



### Use



### Use

<p>LCOS CCI system</p>  <p>FTE 3 pol</p> <p>BC</p> <p>max. DC 48V  <b>780713.575.1</b> LCOS-FTE-PE-575-UN-00-1-L</p> <p>AC230V  <b>780731.575.1</b> LCOS-FTE-PE-575-PN-01-1-L  <b>780741.575.1</b> LCOS-FTE-PE-575-EC-01-1-L  <b>780771.575.1</b> LCOS-FTE-PE-575-ETIP-01-1-L</p>	 <p>FTE 5 pol</p> <p>BC</p> <p>AC500V  <b>780732.575.1</b> LCOS-FTE-PE-575-PN-02-1-L  <b>780742.575.1</b> LCOS-FTE-PE-575-EC-02-1-L  <b>780772.575.1</b> LCOS-FTE-PE-575-ETIP-02-1-L</p>	<p>LOCC-Box Net system</p>  <p>FTE BC</p> <p>BC</p> <p><b>780714.575.1</b> LCOS-FTE-PE-575-UN-04-1-L</p>
--	---	---